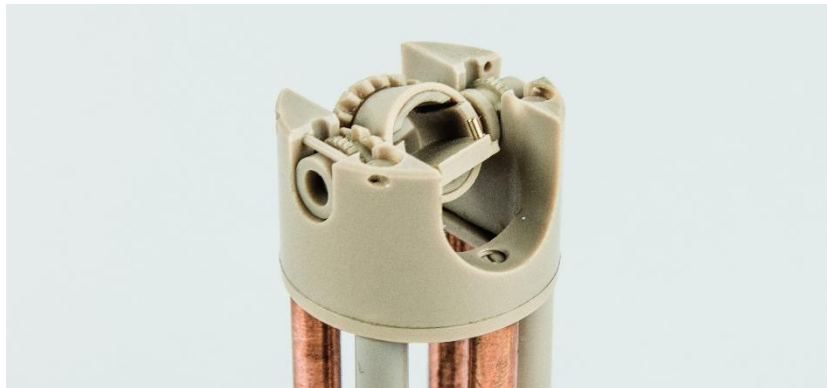


## Mechanical Two-Axis-Rotator ROTAX R28



### Technical product specifications

Type of instrument	mechanical two-axis rotator for full 3D sphere angle-dependent measurements	
Applications	allows for fully automated measurements of angle-dependent properties of solid state materials at low temperatures, high magnetic fields and small sample space	
Suitable experimental methods	electrical / thermal transport, specific-heat, susceptibility, NMR, ultrasound, quantum oscillations, dilatometry, ...	
Rotation options	two simultaneously driven orthogonal rotation axes center of sample stays in fixed position during rotation	
Dimensions	diameter	27.5 mm
	overall length	43.0 mm
	baseplate to center	35.0 mm
Angular range	both axes 360°+ without limitation	
Angular resolution	0.01° typically	
Repeatability	1°	
Material	PEEK (ROTAX R28-P)	
	brass (ROTAX R28-B)	
	other user-specific materials on request	
Sample holder	latching sample holder for convenient pre-experimental preparation ROTAX R28 latching plate: 9.0 mm x 6.5 mm x 2.0 mm	
Temperature range	10 mK ... 370 K	
Magnetic field range	no limitation	
Drive	two mechanical drive rods	
Suitable cryosystems	can be used in most standard cryomagnetic systems	
	requires two vacuum-tight feed-throughs for drive rods with line-of-sight access	

Contact: [rotax@hzdri.de](mailto:rotax@hzdri.de)

Drawings

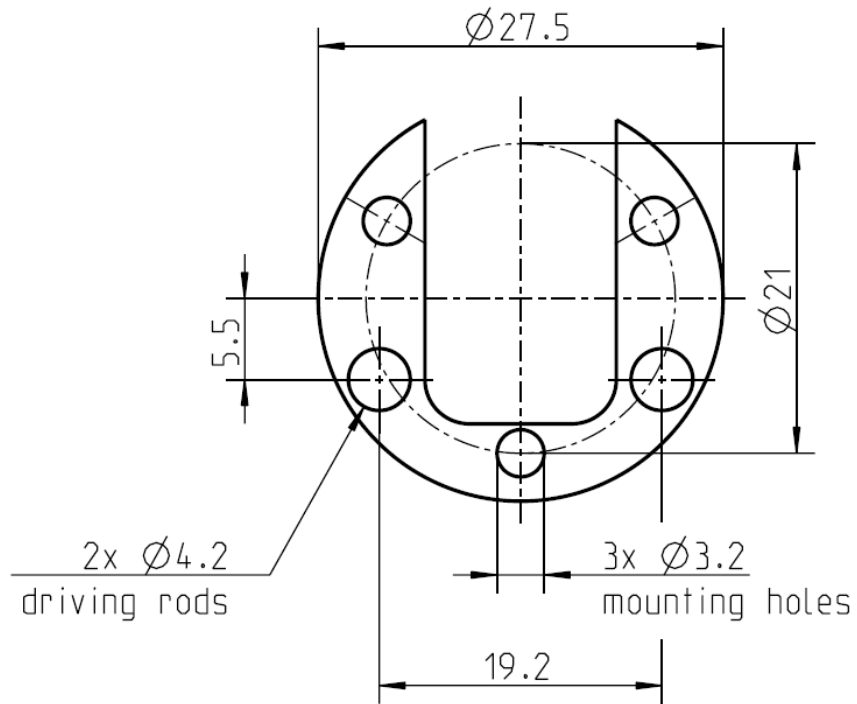


Fig. 1: Mounting and steering geometry of Rotax R28

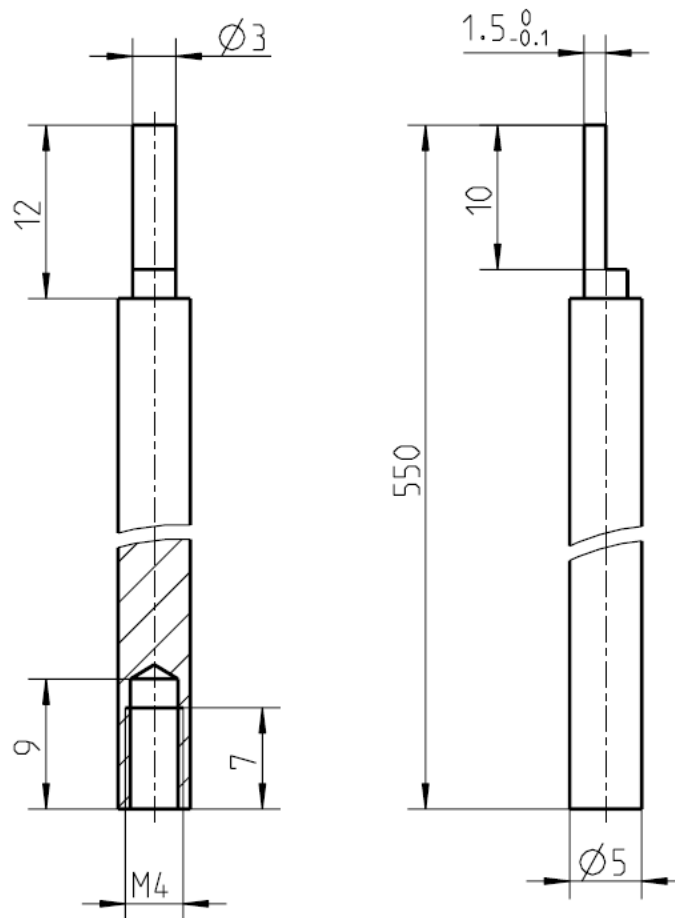


Fig. 2: Driving rod (exemplary, not included in the scope of delivery)